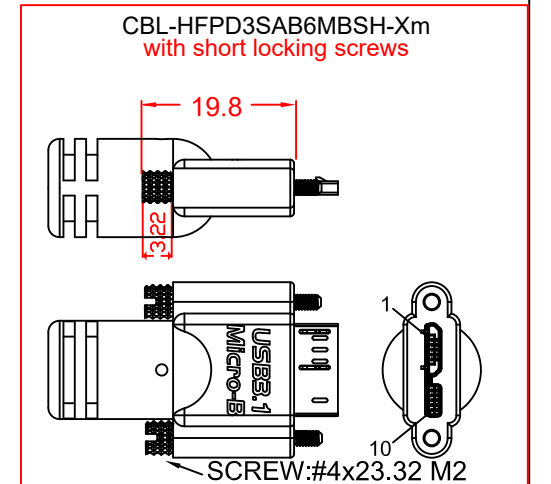
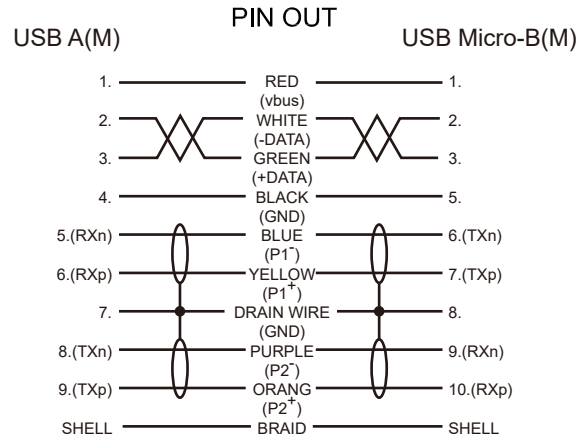
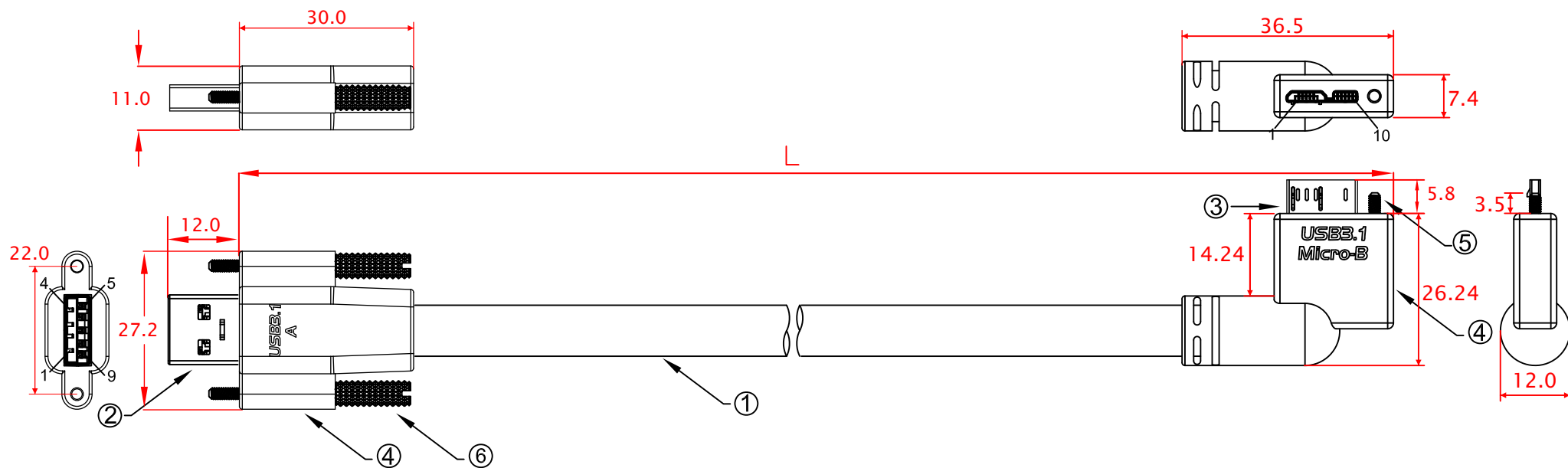


- L:
- CBL-HFPD3SAB6MBSS-1m 1000mm±10mm
 - CBL-HFPD3SAB6MBSS-2m 2000mm±20mm
 - CBL-HFPD3SAB6MBSS-3m 3000mm±20mm
 - CBL-HFPD3SAB6MBSS-4m 4000mm±30mm
 - CBL-HFPD3SAB6MBSS-5m 5000mm±30mm

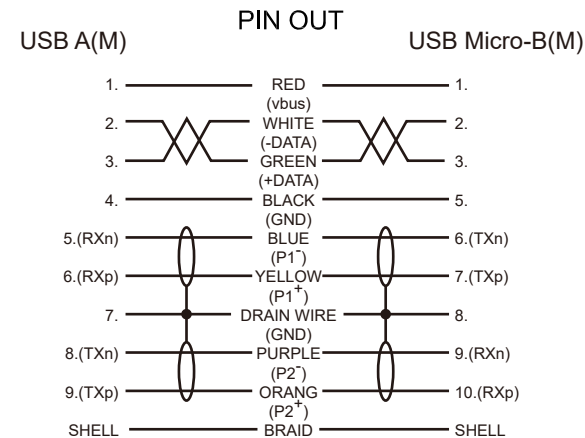


No	MATERIALS LIST:
1.	CABLE: 3 x (2 x 24 AWG)ST + 2 x 22 AWG O.D.:8.8mm COLOR:RED LILAC
2.	CONNECTOR:USB 3.0 A/M, 9P, BLUE INSULATOR SOLDER TYPE, NICKEL PLATED SHELL
3.	CONNECTOR:USB 3.0 MicroB/M, 10P, BLACK INSULATOR SOLDER TYPE, NICKEL PLATED SHELL
4.	PVC MOLDED HOUSING, BLACK COLOR
5.	SCREW:#4x33 M2
6.	SCREW:#4x34.5 M2

Jargy part no.	Client part no.	Approved	SCALE	UNIT
CBL-HFPD3SAB6MBSS-xm				mm
Drawing Name		Drawn	Date	REV.
USB 3.0 A to MicroB Cable M/M				1.0

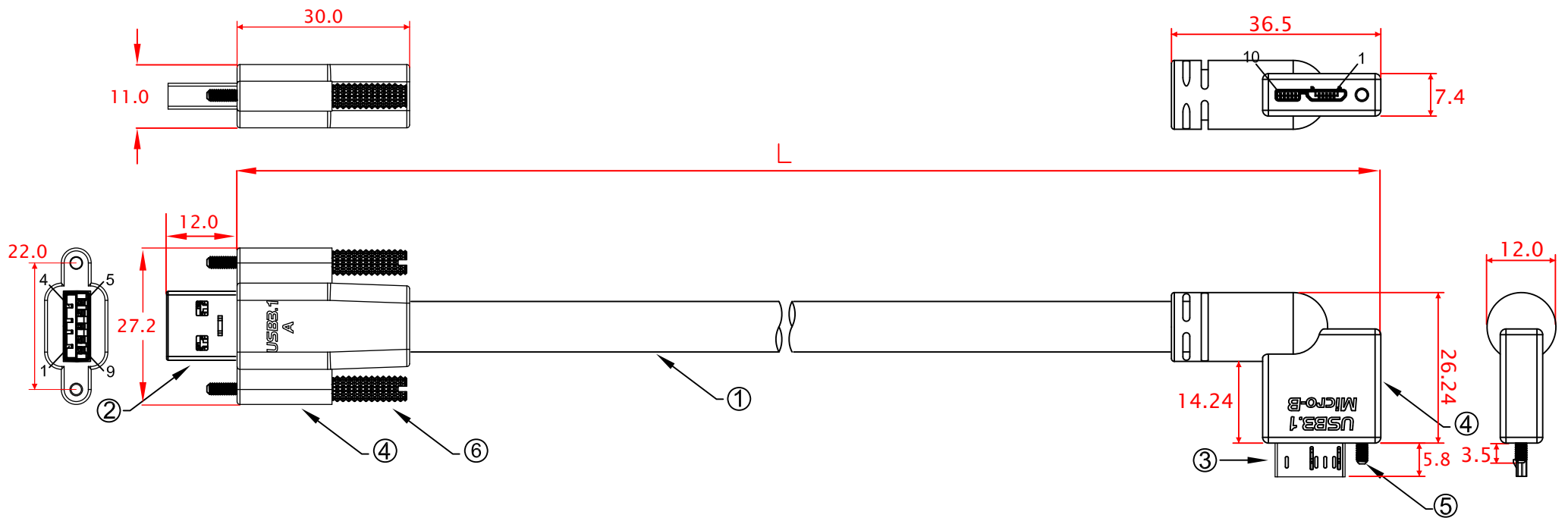


- L:
- CBL-HFPD3SAB6MBSH-1mLA 1000mm±10mm
 - CBL-HFPD3SAB6MBSH-2mLA 2000mm±20mm
 - CBL-HFPD3SAB6MBSH-3mLA 3000mm±20mm
 - CBL-HFPD3SAB6MBSH-4mLA 4000mm±30mm
 - CBL-HFPD3SAB6MBSH-5mLA 5000mm±30mm

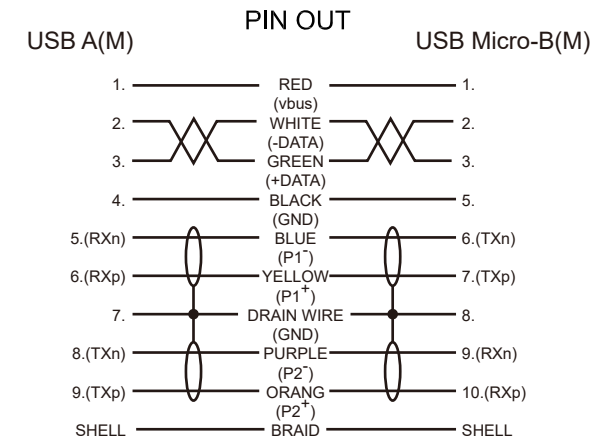


No	MATERIALS LIST:
1.	CABLE: 3 x (2 x 24 AWG)ST + 2 x 22 AWG O.D.:8.8mm COLOR:RED LILAC
2.	CONNECTOR:USB 3.0 A/M, 9P, BLUE INSULATOR SOLDER TYPE, NICKEL PLATED SHELL
3.	CONNECTOR:USB 3.0 MicroB/M, 10P, BLACK INSULATOR SOLDER TYPE, NICKEL PLATED SHELL
4.	PVC MOLDED HOUSING, BLACK COLOR
5.	SCREW:#4x23.32 M2
6.	SCREW:#4x34.5 M2

Jargy part no.	Client part no.	Approved	SCALE	UNIT
CBL-HFPD3SAB6MBSH-xmLA				mm
Drawing Name		Drawn	Date	REV.
USB 3.0 A to MicroB Cable M/M				1.0



- L:
- | | |
|------------------------|-------------|
| CBL-HFPD3SAB6MBSH-1mRA | 1000mm±10mm |
| CBL-HFPD3SAB6MBSH-2mRA | 2000mm±20mm |
| CBL-HFPD3SAB6MBSH-3mRA | 3000mm±20mm |
| CBL-HFPD3SAB6MBSH-4mRA | 4000mm±30mm |
| CBL-HFPD3SAB6MBSH-5mRA | 5000mm±30mm |



No	MATERIALS LIST:
1.	CABLE: 3 x (2 x 24 AWG)ST + 2 x 22 AWG O.D.:8.8mm COLOR:RED LILAC
2.	CONNECTOR:USB 3.0 A/M, 9P, BLUE INSULATOR SOLDER TYPE, NICKEL PLATED SHELL
3.	CONNECTOR:USB 3.0 MicroB/M, 10P, BLACK INSULATOR SOLDER TYPE, NICKEL PLATED SHELL
4.	PVC MOLDED HOUSING, BLACK COLOR
5.	SCREW:#4x23.32 M2
6.	SCREW:#4x34.5 M2

Jargy part no.	Client part no.	Approved	SCALE	UNIT
CBL-HFPD3SAB6MBSH-xmRA				mm
Drawing Name		Drawn	Date	REV.
USB 3.0 A to MicroB Cable M/M				1.0
